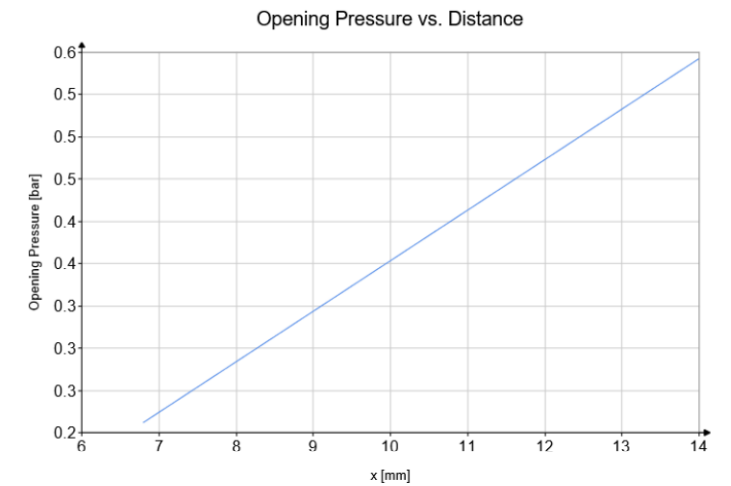


NOTE: 1  
 DESIGN CODE:  
 API 6A

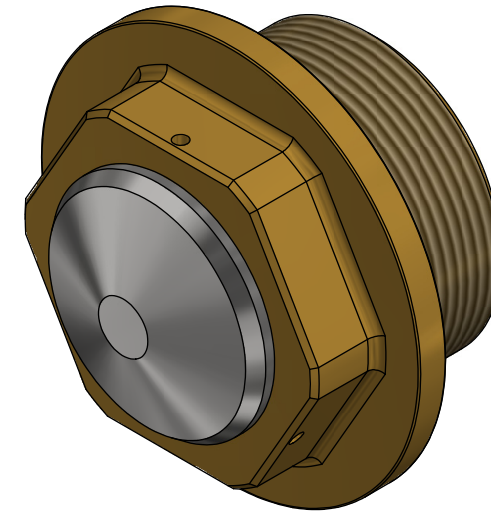
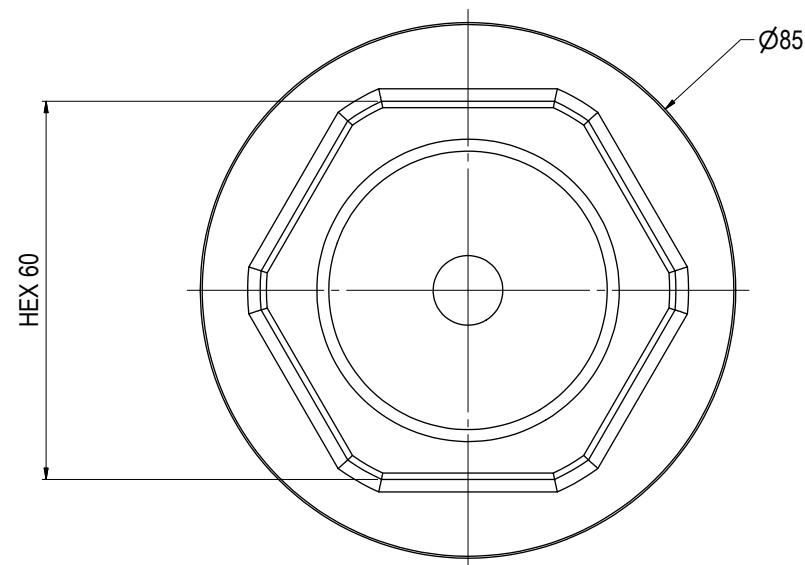
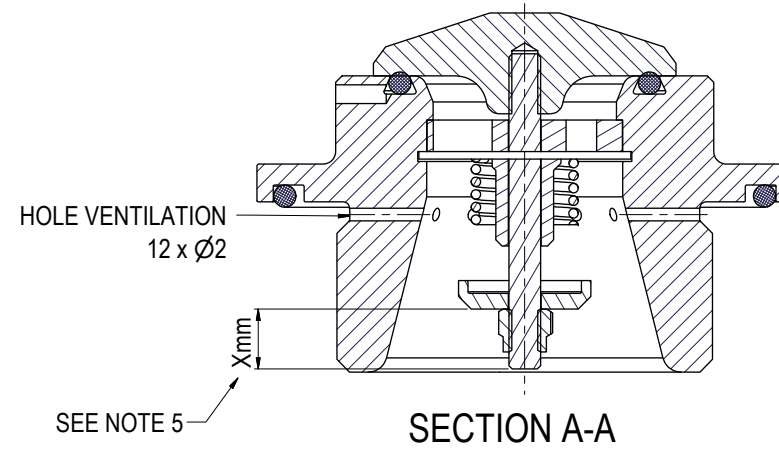
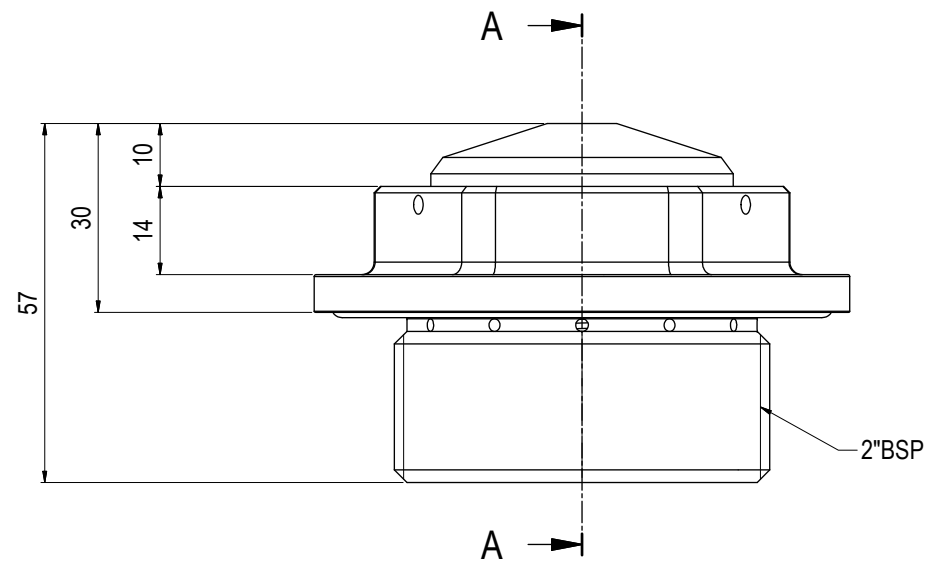
NOTE: 2  
 INTERFACE INFORMATION:  
 Hydraulic: N/A  
 Mechanical: 2" BSP  
 Electrical: N/A  
 Data Com.: N/A

NOTE: 3  
 PROPERTIES:  
 Material Class: FF  
 Temperature Class: U  
 Rated Work Press Bar: 0,2-0,6 @4deg. Adjustable  
 Flow Area: DN 22mm  
 Torque Rating: N/A  
 Design Water Depth: 550m  
 Weight in Air: 1 kg  
 Volume: 0,12 dm<sup>3</sup>  
 Submerged Weight: 0,89 kg

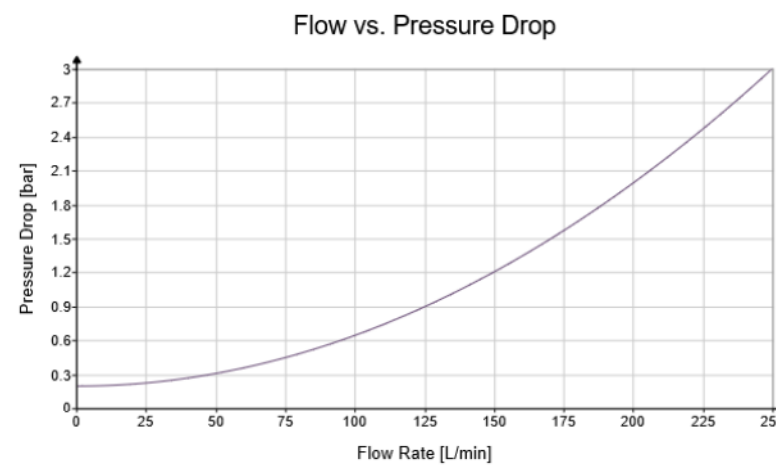
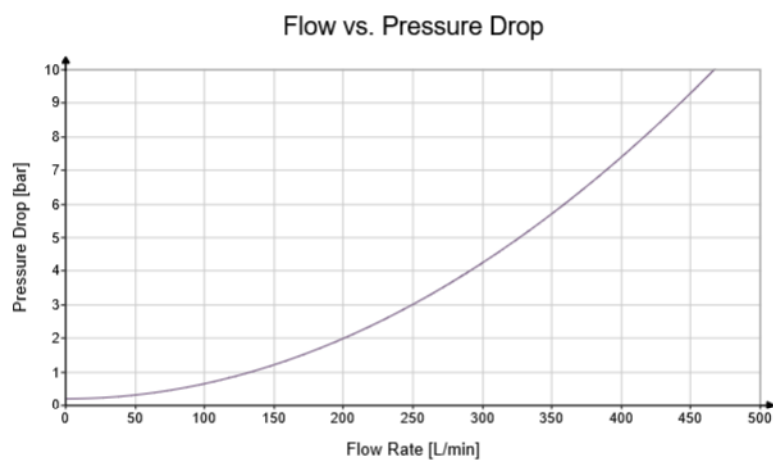
NOTE 4  
 SPRING CHART



NOTE: 5  
 ADDITIONAL INFORMATION:  
 High Flow Low Profile integrated Check Valve for special applications where reduced length and high flow capacity is required.  
 Valve Housing in Aluminium Bronze (OM7) and internal moving parts in AISI316  
 Open Pressure can be adjusted between 0,2-0,6Bar.  
 Valve is typically installed by using Hex Key BC0001  
 Max Assembly Torque: 100Nm



NOTE 6  
 FLOW DATA CHART



Rev.	Date	Reason for issue	Revision change	Made	Chk'd	Appr.
06	11.1.2024	9-IFU (Issued for Use)		WTJ	EKJ	TAN
05	19.10.2023	9-IFU (Issued for Use)		WTJ	EKJ	TAN
04	29.9.2023	7-IFC (Issued for Construction)		WTJ	EKJ	WTJ
03	19.9.2023	7-IFC (Issued for Construction)		WTJ	TAN	WTJ

**BLUE LOGIC**

This Drawing is the Property of Blue Logic AS © and must Not be Loaned, Reproduced or Transferred to others without written Permission

Dwg Scale:	NTS
Dwg Proj:	
Dwg Format:	A3

Drawing title:	Relief Valve 2" - High Flow Low Profile 0,2-0,6Bar Adjustable	
Drawing number:	BC0003	Rev: 06